



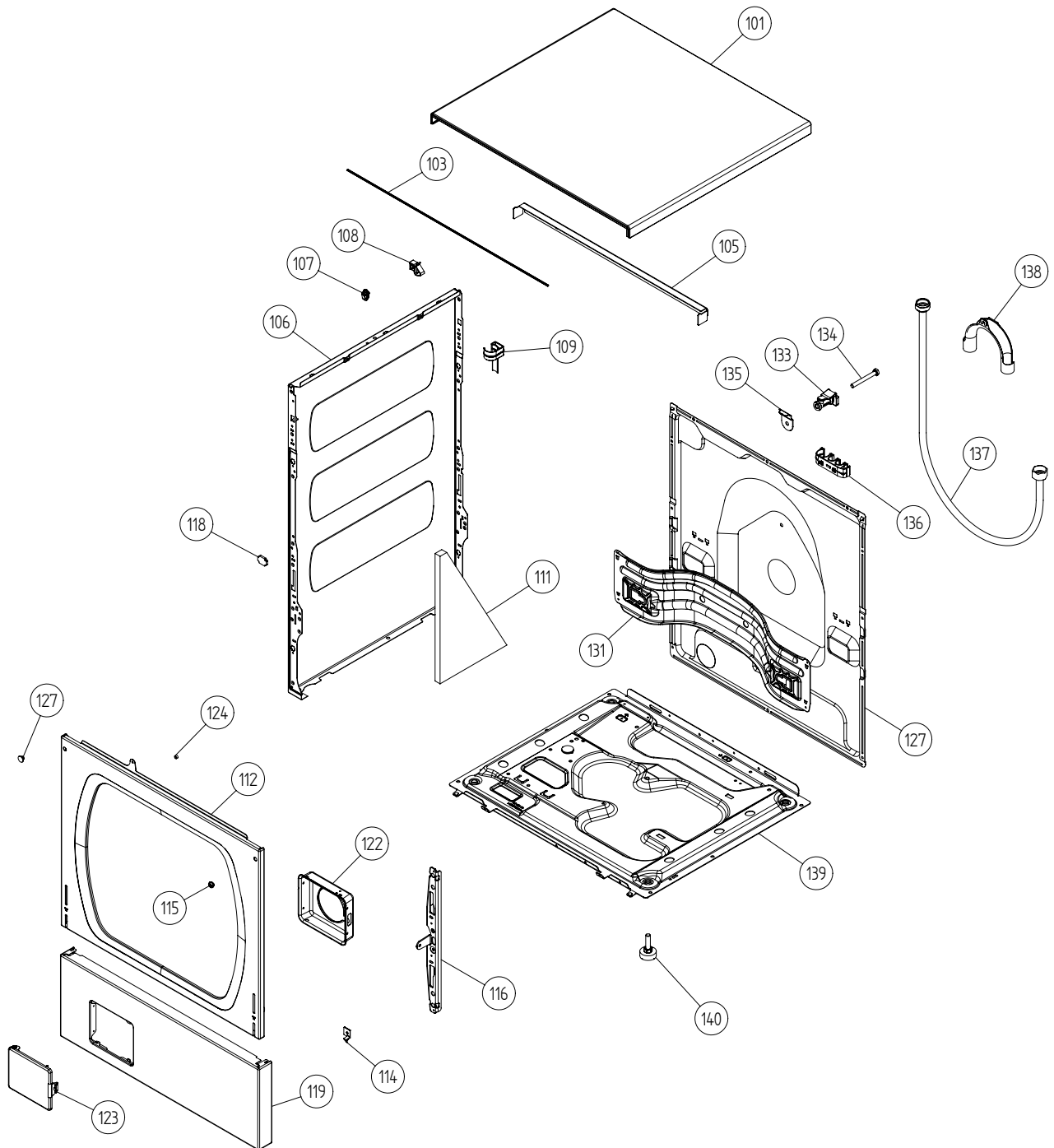
## Spare Parts Catalogue

Washing machines \ 6000 Series  
Type: WM50  
Model: W6461 US Titanium

Prod. No: 107646117  
April 15th 2005

**AM Appliances Group**

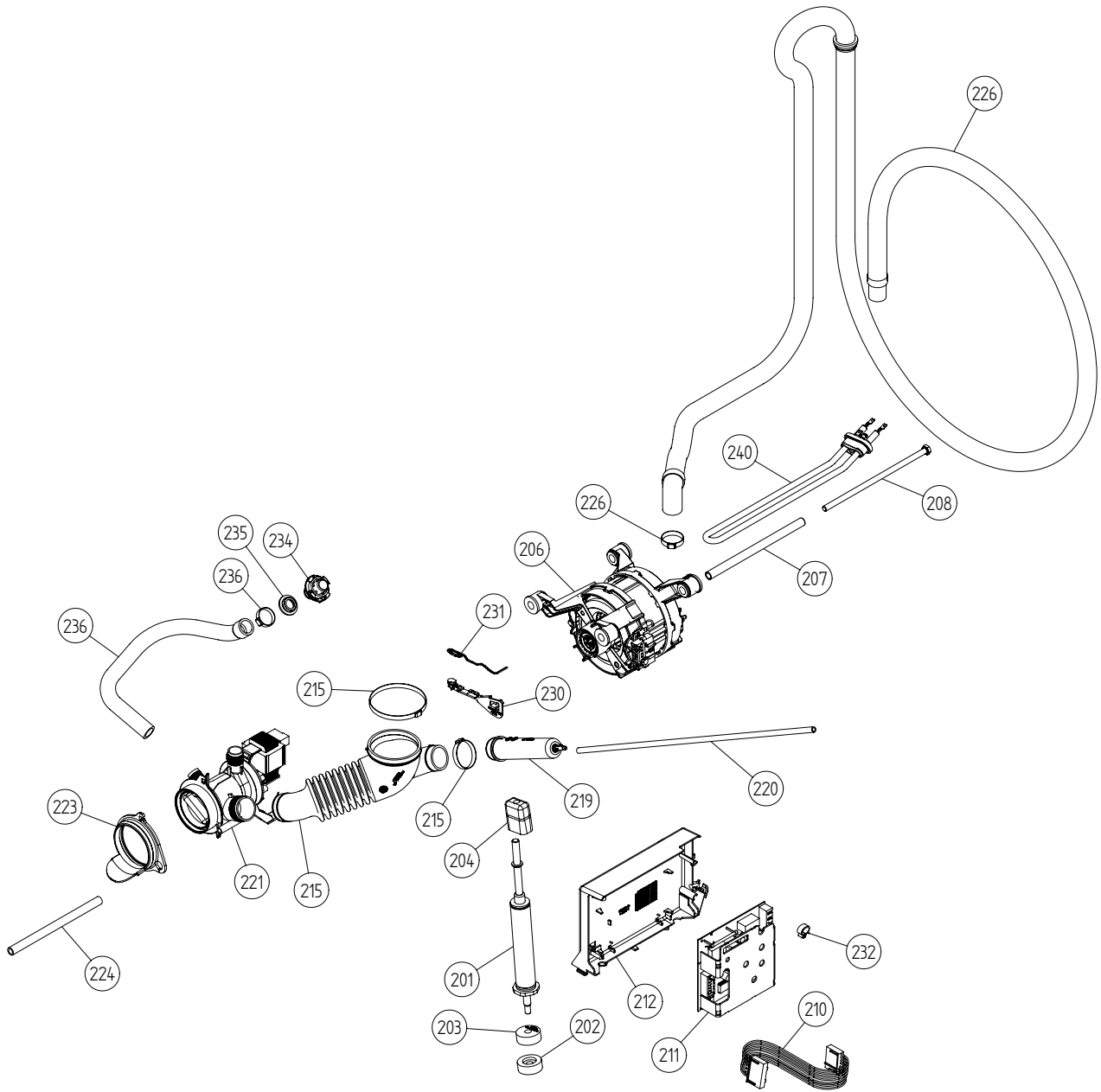
P.O. Box 851805 • Richardson • TX 75085-1805  
789 N. Grove Road • Suite 103 • Richardson • TX 75081



## Outer casing

### ASKO, W6461 US - Titanium #107646117 (WM50)

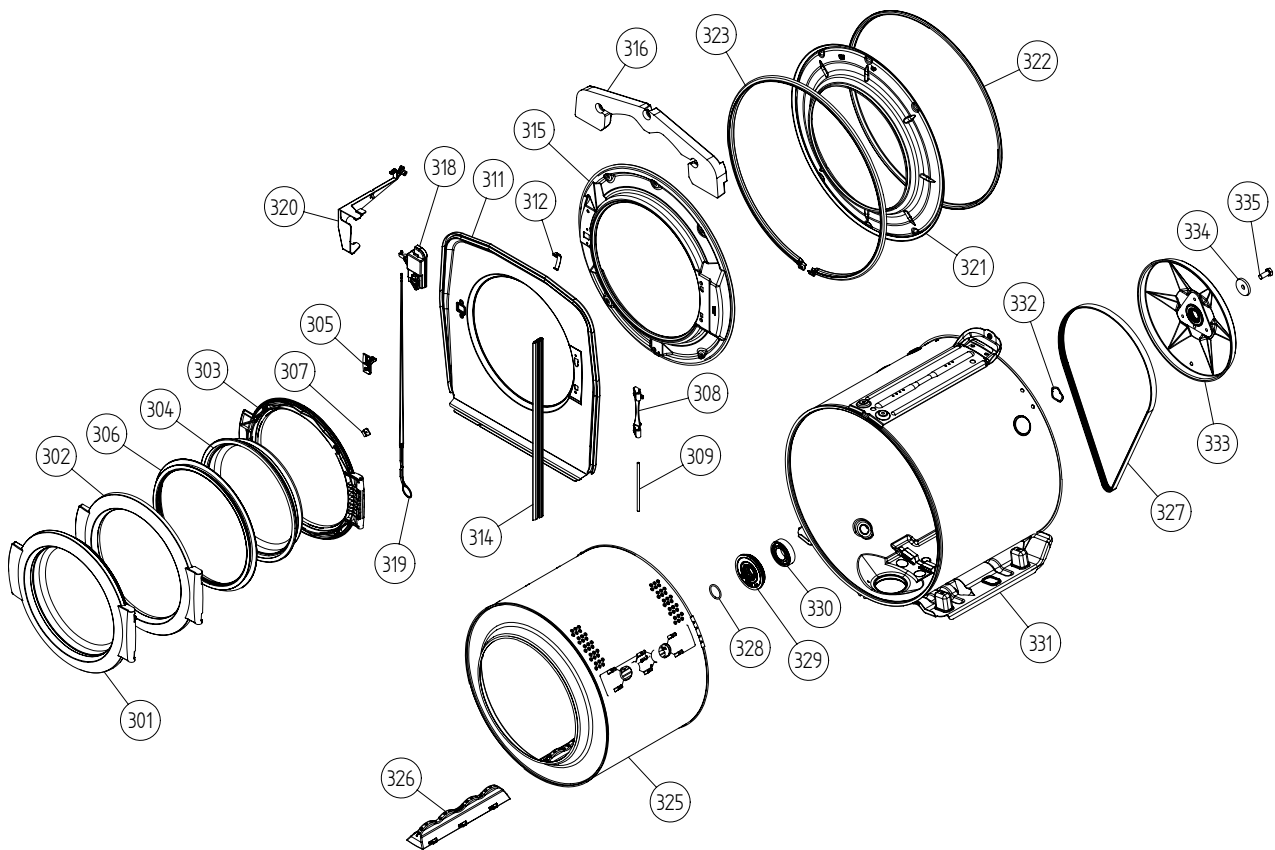
Pos	Spare part No.	Description	Qty	Comment
101	8061817-81	Top WM50 titanium	1 Pcs	
101-a	8900338	Screw 20 Torx Self Tapping	3 Pcs	
101-b	8901413	Lock Washer laundry tops	2 Pcs	
103	8064062	Top Cover Strip	1 Pcs	
105	8064198	Support Beam	1 Pcs	
106	8801174-81	Side WM50 titanium	2 Pcs	
107	8061763	Clip Front Plate 600700s	2 Pcs	
108	8061916	CABLE HOLDER WMD20	3 Pcs	
109	8061713	HOLDER HOSE/SIDE PLATE WMD20	2 Pcs	
111	8064017	Insulation	1 Pcs	
112	8061732-81	front WM50 titanim	1 Pcs	
112-a	8900327	Screw 20 Torx Self Tapping	4 Pcs	
112-b	8901413	Lock Washer laundry tops	2 Pcs	
114	8064177	Hook Lower Pane	2 Pcs	
114-a	8900338	Screw 20 Torx Self Tapping	2 Pcs	
115	8061741	RUBBER BUFFER FRONT DOOR	2 Pcs	
116	8061744	HINGE BEARING	2 Pcs	
116-a	8901097	Screw Terminal	6 Pcs	
118	8061745	RUBBER BUFFER HINGE	2 Pcs	
119	8064293-95	Lower Cover Stainless Steel. U	1 Pcs	
119-a	8900327	Screw 20 Torx Self Tapping	2 Pcs	
119-b	8901413	Lock Washer laundry tops	2 Pcs	
122	8061785	PUMP GUARD WM20	1 Pcs	
123	8061657-81	outlet pump door WM50 Titanium	1 Pcs	
127	8061737	REAR PANEL WM20	1 Pcs	
127-a	8061959	Plug Hum. Sensor	1 Pcs	
127-b	8900338	Screw 20 Torx Self Tapping	11 Pcs	
131	8061693	Cross Beam Rear 600	1 Pcs	
131-a	8900338	Screw 20 Torx Self Tapping	4 Pcs	
131-b	8901413	Lock Washer laundry tops	1 Pcs	
133	8064206-UL	GrommetShipping Support 600s	3 Pcs	
134	8901940	Bolt Shippng WM20	3 Pcs	
134	8901037	Screw bufo	3 Pcs	
135	8061767	Locking Clip Shipping 600s	3 Pcs	
136	8065773	HOLDER FRAME REAR COVER	2 Pcs	Bild saknas
137	8056950	Fill Hose Pex WM	1 Pcs	
138	8050805	GOOSE NECK for DRAIN HOSE	1 Pcs	
138-a	8002263	Cable Strip	1 Pcs	
139	8061618	BASE PAN WMD20	1 Pcs	
140	8059334	Leveling Leg Comp. WMD 20	4 Pcs	



## Lower session

### ASKO, W6461 US - Titanium #107646117 (WM50)

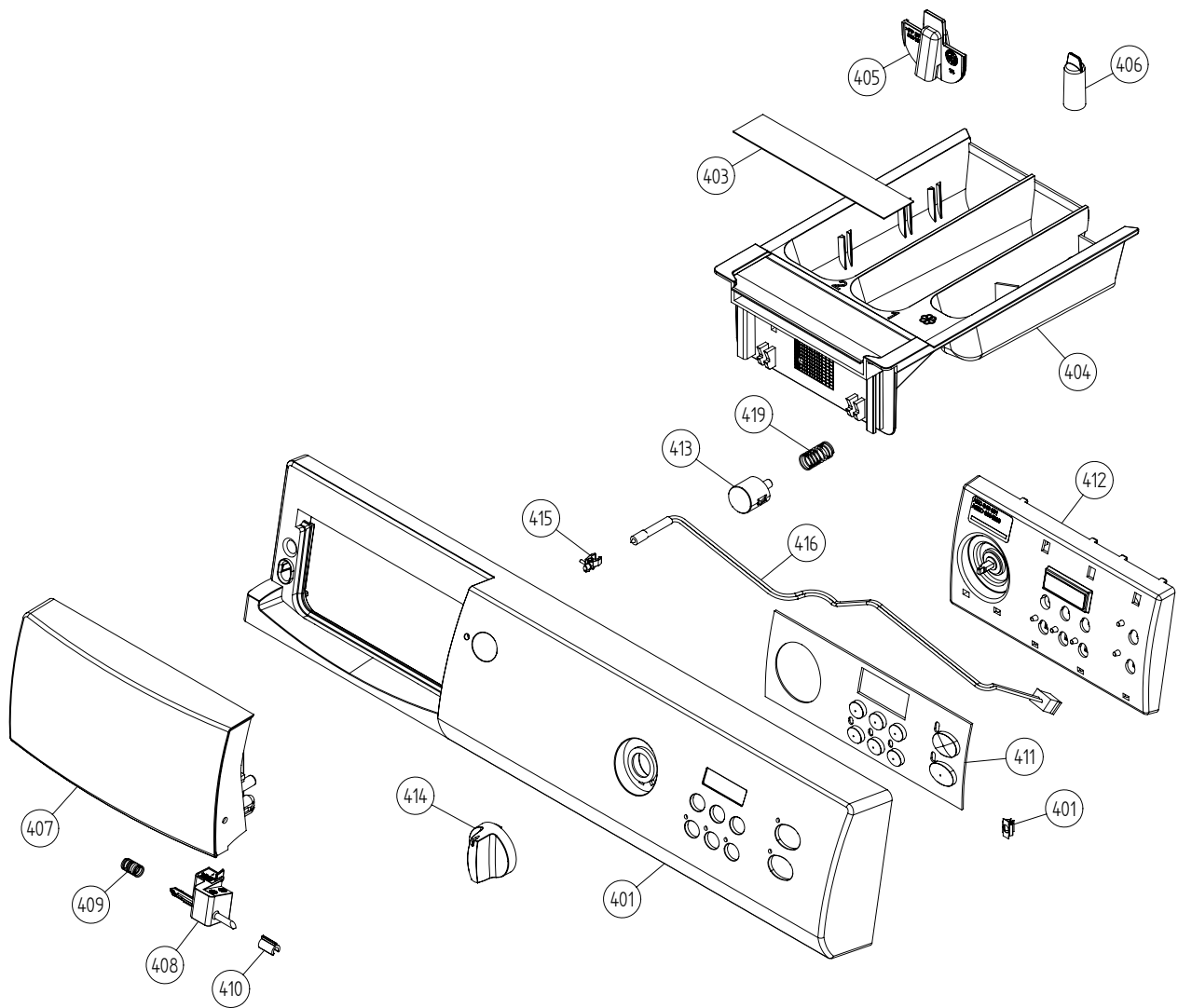
Pos	Spare part No.	Description	Qty	Comment
201	8801171	Spring Leg Kit W600s Set	1 Pcs	
202	8055796	RUBBER BUFFER SPRING LEG	4 Pcs	
203	8055797	RUBBER BUFFER SPRING LEG	4 Pcs	
204	8061668	Rubber Damper Spring Leg	4 Pcs	
206	8063734	subs to 8065385	1 Pcs	
206-a	8901155	Nut	2 Pcs	
206-b	8901337	Washer	1 Pcs	
206-c	8801195	Brush for FHP motor	1 Pcs	
207	8058261	Spacer Tube Motor 05 WM	2 Pcs	
208	8063591	Screw	2 Pcs	
210	8086404	Cable Set WM 66/55	1 Pcs	
211	8061399	Board Mtr.13605 20605640/60	1 Pcs	
212	8061918	Holder Motor Controller WM 20	1 Pcs	
212-a	8901097	Screw Terminal	1 Pcs	
212-b	8901322	Washer	1 Pcs	
215	8061681	Bellows Hose Outlet Pump WM20	1 Pcs	
215-a	8063262	Hose Clip	1 Pcs	
215-b	8056471	Hose Clips	1 Pcs	
215-c	8052083	Hose Clip	1 Pcs	
219	8061924	Pressure Chamber	1 Pcs	
219-c	8052083	Hose Clip	1 Pcs	
220	7382670	Rubber Hose	1 Pcs	
221	8801264	DRAIN PUMP COMPL. SYNCR. 60HZ	1 Pcs	
222	8061649	Rubber Buffer Drain Pump WM20	2 Pcs	
223	8061796	Rubber Ring Drain Pump WM20	1 Pcs	
224	8061725	Drain Hose WM20	1 Pcs	
224-a	8052731	Squeeze Clamp	1 Pcs	
226	8061998	Outlet Hose WM20	1 Pcs	
226-a	8056491	Hose Clamp Squeeze	1 Pcs	
230	8061738	Thermistor Holder WM20	1 Pcs	
231	8061663	TMistor 600s	1 Pcs	
232	8061976	Cable Holder W600	2 Pcs	
234	8061674	Recirculation Stub	1 Pcs	
235	8061673	Grommet Recirculation Stub	1 Pcs	
236	8063721	Hose recirculation WM20	1 Pcs	
236-a	8054196	Clamp	2 Pcs	
240	8061706	Heating Element 600	1 Pcs	



## Cylinder and related parts

ASKO, W6461 US - Titanium #107646117 (WM50)

Pos	Spare part No.	Description	Qty	Comment
301	8064906-81	Front door	1 Pcs	
302	8061651-81	FRAME FRONT DOOR OUTER GREYME.	1 Pcs	
303	8061652-42	Front Door Frame Inner	1 Pcs	
304	8061685	Front Glass	1 Pcs	
305	8061798	Lock Hook Door 600s	1 Pcs	
306	8064025	Seal front door WM20/21	1 Pcs	
307	8061624	Securing Plate	4 Pcs	
308	8061686-42	Hinge Front Door Grey WM 20	1 Pcs	
308-a	8901969	Screw	2 Pcs	
309	8061687	Shaft for Hinge WM 20	1 Pcs	
311	8061671-81	Cover Plate Outer Metallic	1 Pcs	
312	8061879	Tension Spring	4 Pcs	
314	8061616	Gap Sealing Side WM 20	2 Pcs	
315	8061670	COVER PLATE INNER	1 Pcs	
316	8061678	DAMPER WEIGHT	2 Pcs	
316-a	8901135	SCREW	4 Pcs	
318	8061679	Door Lock Comp. W600s	1 Pcs	
318-a	8902087	Screw Plastic Housing 20 Torx	2 Pcs	
319	8061780	Emergency Opening Compl. WM20	1 Pcs	
320	8061680-UL	Can also use #8061680	1 Pcs	
321	8061677	FRONT PANEL TUB WM20	1 Pcs	
321	8065043	Front panel tub WM20/21	1 Pcs	
322	8061889	Seal Strip Tub 600s	1 Pcs	
323	8061669	TENSION RING WM20	1 Pcs	
325	8061600	Cylinder	1 Pcs	
326	8061604	Drum Paddle	3 Pcs	
327	8061682	Drive Belt 600 series washers	1 Pcs	
328	8058497	ORing 600s Drum Shaft WM	1 Pcs	
329	8801211	Vring cassette compl. w/orin	1 Pcs	
330	8056314	Bearing Comp. WM Rear Panel	2 Pcs	
331	8801165	Container Complete	1 Pcs	
332	8056810	Wave Washer WM	1 Pcs	
333	8056376	Pulley for Drum WM	1 Pcs	
334	8057209	Washer Level Leg DW	1 Pcs	
335	8901052	Screw	1 Pcs	

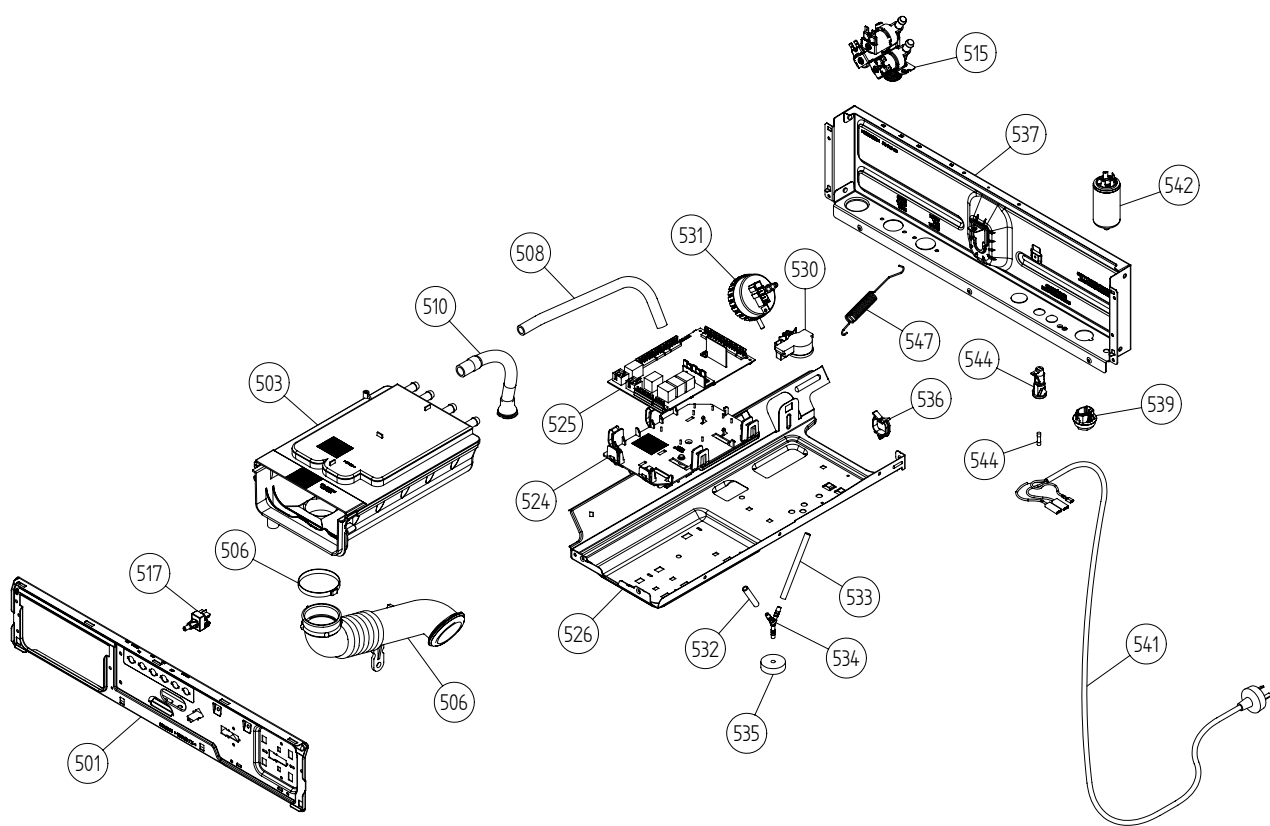




## Control panel

### ASKO, W6461 US - Titanium #107646117 (WM50)

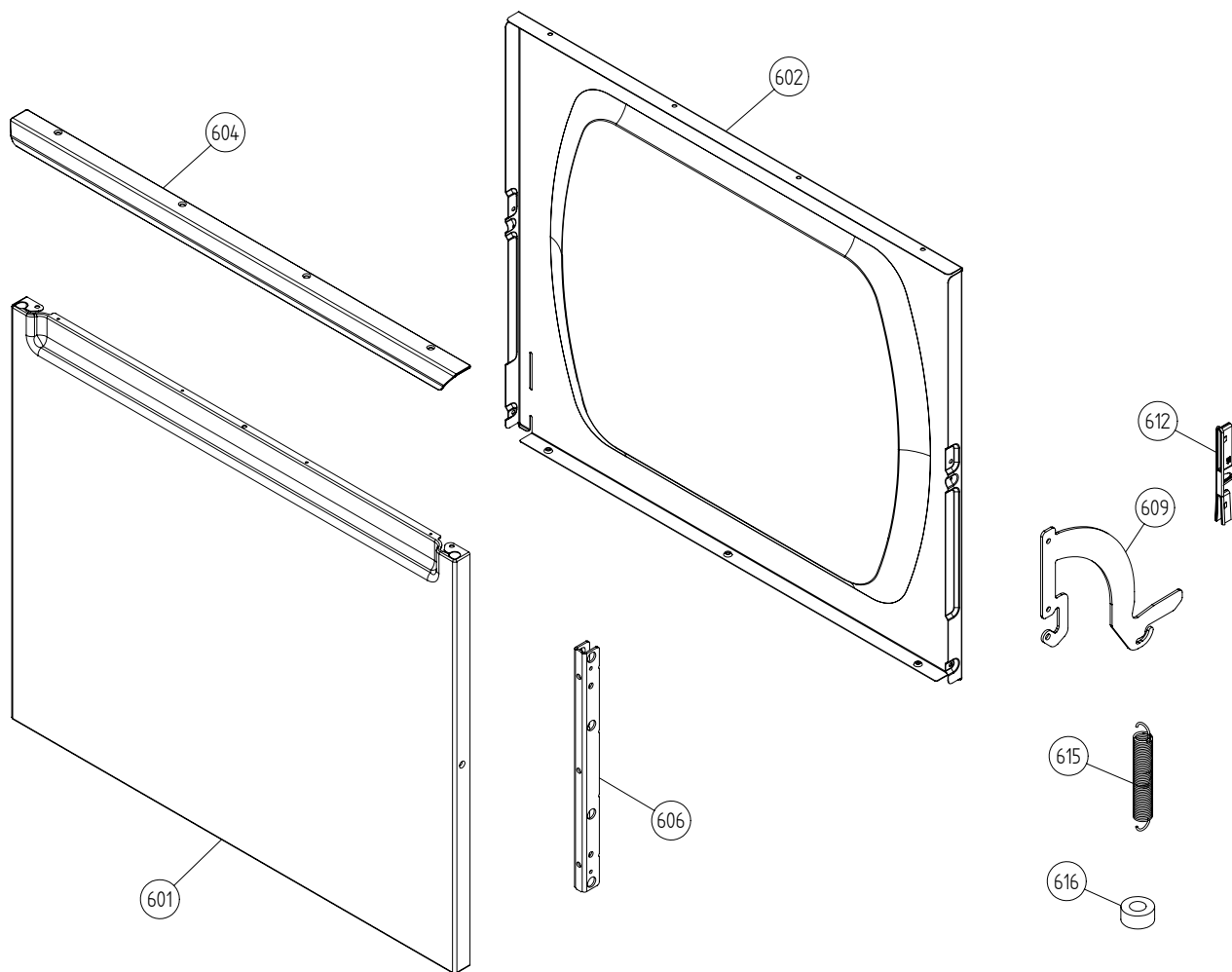
Pos	Spare part No.	Description	Qty	Comment
401	8076794-81-UL	PANEL W.HANDLE W6461 ASKO US	1 Pcs	
401-a	8901591	Clip/Panel 600700s	4 Pcs	
403	8076556-49	PLATE PROG.INFO WASHERS US/CA	1 Pcs	
403	8076660-49	PLATE PROG.INFO WM F. US FR/ES	1 Pcs	
404	8061630	Det. Comp. Complete W600	1 Pcs	
405	8061633	Siphon Divider Liq. Det. 600s	1 Pcs	
406	8061634	Siphon Fabric softener WM20	1 Pcs	
407	8061846-81-UL	HANDLE PANEL MECH WMD20	0 Pcs	
408	8061621-34	Safety Catch Det. Com W600s	1 Pcs	
409	8061622	Spring Safety Catch WM20	1 Pcs	
410	8064010	Spacing sleeve	1 Pcs	
411	8065515-81	Pushbuttons WM50 titanium	1 Pcs	
412	8064260	Display Unit WM50 TD30/40	1 Pcs	
413	8061902-81	Push Button Main Switch	1 Pcs	
414	8064390-81	Knob WM50 TD30/40	1 Pcs	
415	8061822	Decor Lens 06 Laundry	1 Pcs	
416	8064068	Indication lamp WM55/66	1 Pcs	
419	8061857	Spring Main Switch WMD 20	1 Pcs	
490	8076809	Use & Care Man. 6461	1 Pcs	
490	8076810	INSTRUCTIONS WM21 FRENCH US/CA	1 Pcs	
490	8076811	INSTRUCT. WM21 SPANISH US/CA	1 Pcs	



## Upper session

### ASKO, W6461 US - Titanium #107646117 (WM50)

Pos	Spare part No.	Description	Qty	Comment
501	8061690	Front Beam 600/700 Series	1 Pcs	
501-a	8900338	Screw 20 Torx Self Tapping	2 Pcs	
501-b	8901413	Lock Washer laundry tops	2 Pcs	
501-c	8902087	Screw Plastic Housing 20 Torx	2 Pcs	
503	8061661	Container Det. Disp. 600s	1 Pcs	
503-a	8901970	Screw	2 Pcs	
503-b	8902072	Screw	1 Pcs	
503-c	8056656	Cable Tie	3 Pcs	
506	8061628	BELLOWS HOSE INLET WM20	1 Pcs	
506	8064692	Bellows hose longer alternate	1 Pcs	
506-a	8063607	Hose Clip	1 Pcs	
508	8061702	Rubber Hose	3 Pcs	
510	8061736	Ventilation Hose WM20	1 Pcs	
510-a	8052730	Hose Clip	1 Pcs	
515	8061757	Fill Valve 3way 600	1 Pcs	
515-a	8901097	Screw Terminal	2 Pcs	
517	8061875	Switch ON/OFF WM20	1 Pcs	
524	8061921	Holder Prog Control WMD600/700	1 Pcs	
525	8076640	Control Unit WM5	1 Pcs	
526	8061692	Bracket Elec. Comp. WM 20	1 Pcs	
526-a	8900338	Screw 20 Torx Self Tapping	2 Pcs	
526-b	8900327	Screw 20 Torx Self Tapping	1 Pcs	
529	8086447	Add Harness WM66/55	1 Pcs	
530	8061664	Level Sensor 600s	1 Pcs	
531	8064275	Level switch	1 Pcs	
532	8003641	Rubber Hose	1 Pcs	
533	7382985	Rubber Hose	1 Pcs	
534	8051843	YPipe Water Level SW 04/06 WM	1 Pcs	
535	8061997	Ground Level Switch Hose WM 20	2 Pcs	
536	8061975	Cable Holder	1 Pcs	
537	8061694	CROSS BEAM	1 Pcs	
537-a	8900327	Screw 20 Torx Self Tapping	4 Pcs	
539	8006948	Grommet	1 Pcs	
541	8064210	Cord set w/flat pin sleeves	1 Pcs	
542	8058558	RFI 05/06 WM	1 Pcs	
542-a	8901155	Nut	1 Pcs	
542-b	8901419	Lock Washer	1 Pcs	
544	8065573	FUSE HOLDER GREY 15A US/CA	2 Pcs	
544-a	8058140	BK/MDA15 Fuse All laundry	2 Pcs	
544-b	8055725	Hub Fuse Holder	2 Pcs	
544-c	8054613	Fuse Holder Laundry	2 Pcs	
547	8061923	Balancing Spring WM 20	2 Pcs	



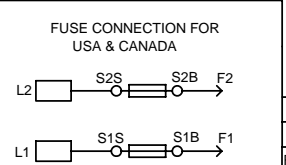
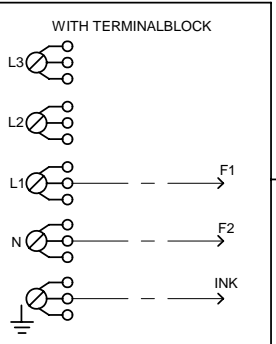
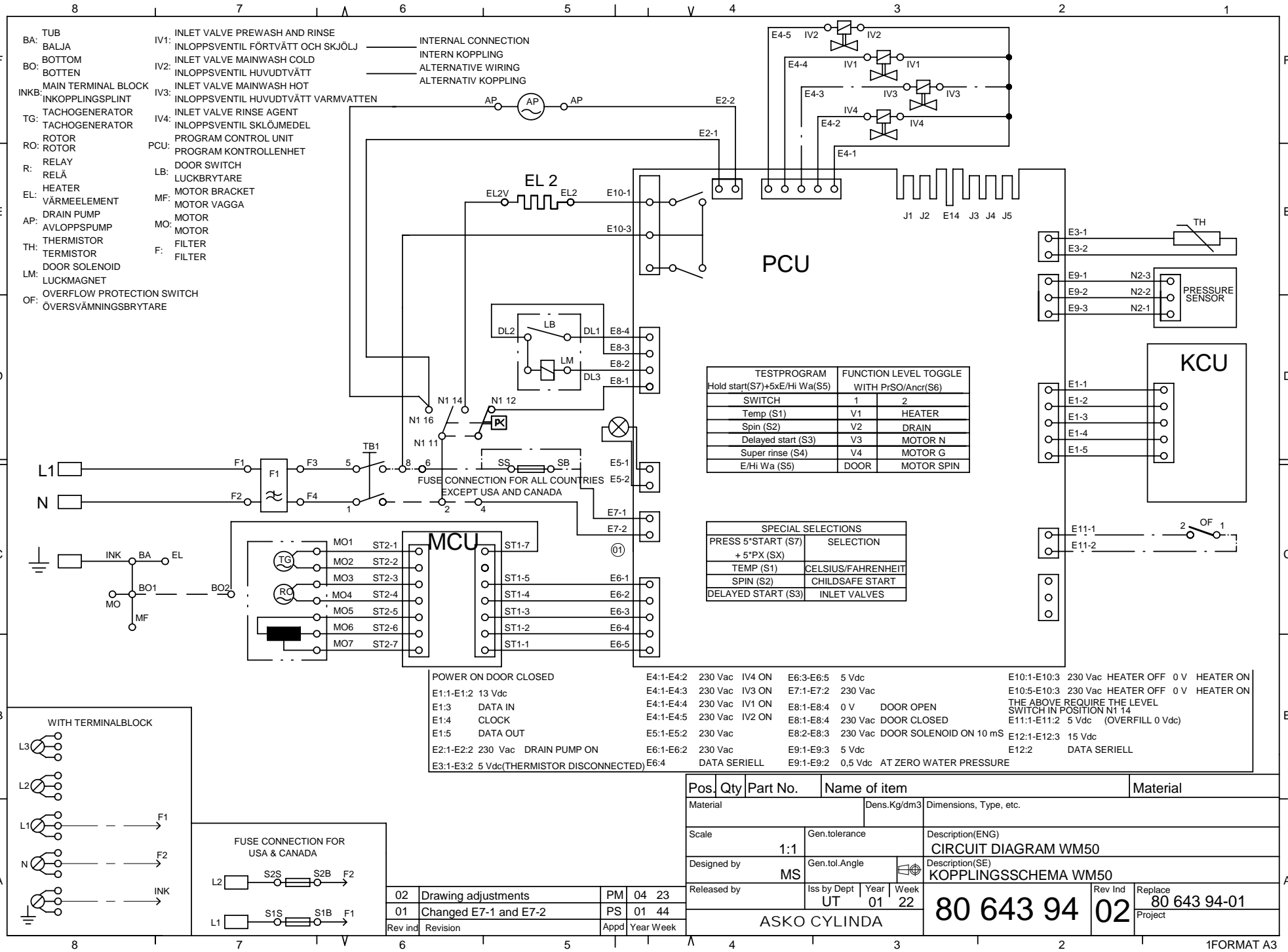
## Outer door

### ASKO, W6461 US - Titanium #107646117 (WM50)

Pos	Spare part No.	Description	Qty	Comment
601	8061733-95	Outer Door WMD600/700 Series.	1 Pcs	
602	8061734-95	Inr Door SS WM 20not chrome	1 Pcs	
602-a	8900395	Screw	5 Pcs	
604	8061656-81	Handle Front Door WM 20 meta	1 Pcs	
606	8061764	Reinforcement Hinge WM 20	1 Pcs	
606-a	8901969	Screw	4 Pcs	
606-b	8901097	Screw Terminal	4 Pcs	
609	8061906	Hinge Electric WM 20	2 Pcs	
609-a	8901192	Locking Nut WM 03/05	2 Pcs	
609-b	8901004	Screw	2 Pcs	
609-c	7382628	Nylon Washer	2 Pcs	
612	8061777-81	Guide Hinge Metallic WM 20	2 Pcs	
615	8061742	Tension Spring Hinge WM 20	1 Pcs	
616	8061909	Glide Sleeve Tension Spring	1 Pcs	

KOMPLETTSCHEMA WM50: 80 643 93-02

S:\UW\MB2011\_Tryckunderlag\Kopplingschema\WM50\8064394\_Kwm50-02.dft\_pema\_2004-06-02 10:18:04



POWER ON DOOR CLOSED		E4:1-E4:2	230 Vac	IV4 ON	E6:3-E6:5	5 Vdc	E10:1-E10:3	230 Vac	HEATER OFF	0 V	HEATER ON
E1:1-E1:2	13 Vdc	E4:1-E4:3	230 Vac	IV3 ON	E7:1-E7:2	230 Vac	E10:5-E10:3	230 Vac	HEATER OFF	0 V	HEATER ON
E1:3	DATA IN	E4:1-E4:4	230 Vac	IV1 ON	E8:1-E8:4	0 V	THE ABOVE REQUIRE THE LEVEL SWITCH IN POSITION N1 14				
E1:4	CLOCK	E4:1-E4:5	230 Vac	IV2 ON	E8:1-E8:4	230 Vac	DOOR CLOSED	E11:1-E11:2	5 Vdc	(OVERFILL 0 Vdc)	
E1:5	DATA OUT	E5:1-E5:2	230 Vac	E8:2-E8:3	230 Vac	DOOR SOLENOID ON 10 mS	E12:1-E12:3	15 Vdc			
E2:1-E2:2	230 Vac	E6:1-E6:2	230 Vac	E9:1-E9:3	5 Vdc	E12:2	DATA SERIELL				
E3:1-E3:2	5 Vdc (THERMISTOR DISCONNECTED)	E6:4	DATA SERIELL	E9:1-E9:2	0,5 Vdc	AT ZERO WATER PRESSURE					

TESTPROGRAM	FUNCTION LEVEL TOGGLE	
Hold start (S7)+5xE/Hi Wa (S5)	WITH PrSO/Ancr (S6)	
SWITCH	1	2
Temp (S1)	V1	HEATER
Spin (S2)	V2	DRAIN
Delayed start (S3)	V3	MOTOR N
Super rinse (S4)	V4	MOTOR G
E/Hi Wa (S5)	DOOR	MOTOR SPIN

SPECIAL SELECTIONS	
PRESS 5*START (S7) + 5*PX (SX)	SELECTION
TEMP (S1)	CELSIUS/FAHRENHEIT
SPIN (S2)	CHILDSAFE START
DELAYED START (S3)	INLET VALVES

Pos.	Qty	Part No.	Name of item	Material
Material		Dens.Kg/dm3	Dimensions, Type, etc.	
Scale		1:1	Description(ENG) CIRCUIT DIAGRAM WM50	
Designed by		MS	Description(SE) KOPPLINGSSCHEMA WM50	
Released by		Iss by	Year	Week
		DEPT	01	22
<b>ASKO CYLINDA</b>				<b>80 643 94 02</b>
Rev Ind		Replace		80 643 94-01
Project				

This document must not be copied without our written permission, and the contents may not be used for any unauthorized purpose. Askö Cylinda AB